

DECENTRALISED AIR HEATERS AND AIR COOLERS

FULL
PRODUCT
RANGE



AL-KO "DESIGN"

AIR HEATING FOR CHALLENGING SPACES



Looking at the areas of application and buildings, in which air heaters and air coolers are usually used, reveals a very important point:

Many buildings are open to the public. These are often DIY shops, supermarkets, exhibition halls, showrooms, shopping centres and all kinds of commercial spaces which – visible to our customers' customers – are equipped with air heaters and air coolers.

Consequently the "DESIGN" stands out due to its appealing visuals, low noise levels and the "V-0" fire protection class of the plastic cover.

Thanks to the aesthetically pleasing exterior of the "DESIGN", the expert planner no longer has to "hide" the ventilation equipment from the architect or the building owner, or especially from our customers' customers.

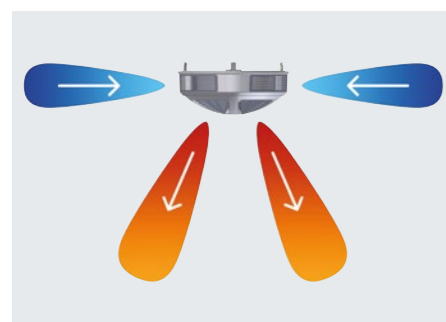
THE SYMBIOTIC RELATIONSHIP BETWEEN ENERGY ISSUES, NEW FUNCTIONALITY AND CREATIVE DESIGN:

AL-KO "DESIGN" – Air heaters and air coolers have never been packaged more aesthetically!

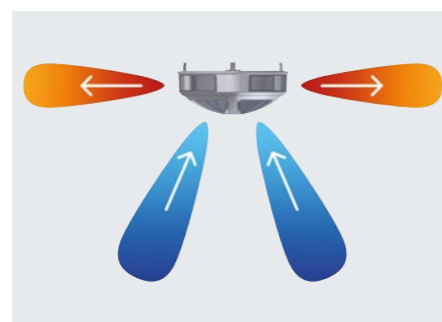
- | Best airflow patterns thanks to variable discharge directions.
- | The air direction can be set either horizontally or vertically, depending on the height of the room.



Heating for ceiling heights up to 7 m



Heating for ceiling heights up to 5.7 m



TECHNICAL DATA

Heating

Installation sizes	ED-H1-C1	ED-H1-C2	ED-H1-C3	ED-H2-C1	ED-H2-C2	ED-H2-C3	ED-H3-C1	ED-H3-C2	ED-H3-C3
max. airflow rate (m³/h)	2,030	1,960	1,610	3,110	2,900	2,850	4,300	4,150	3,900
max. heat capacity (KW) (at PWW 70 / 50, air intake +20°C)	7.4	12.2	16	8.5	16.7	21.6	11	18.5	28.1
Drive (2-stage)	3 x 400 V / 50 Hz								

AL-KO "DESIGN"

AIR COOLING FOR CHALLENGING SPACES



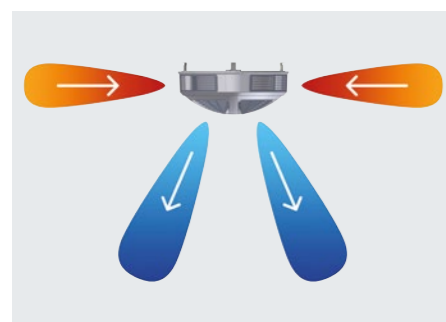
AESTHETICS AND CONVENIENCE

For rooms with high demands for convenience, AL-KO has developed the "DESIGN" PCW air cooler. It is designed for use in buildings that are frequently visited by the public.

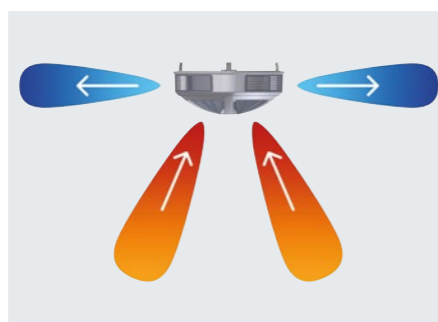
The air cooler can both heat and cool depending on the requirements of the season. As a result it is very easy to implement ventilation solutions for buildings such as DIY shops, supermarkets, exhibition halls, showrooms and shopping centres.

The "DESIGN" stands out due to its appealing visuals, low noise levels and the special "V-0" fire protection class of the plastic cover.

Cooling for ceiling heights up to 10 m

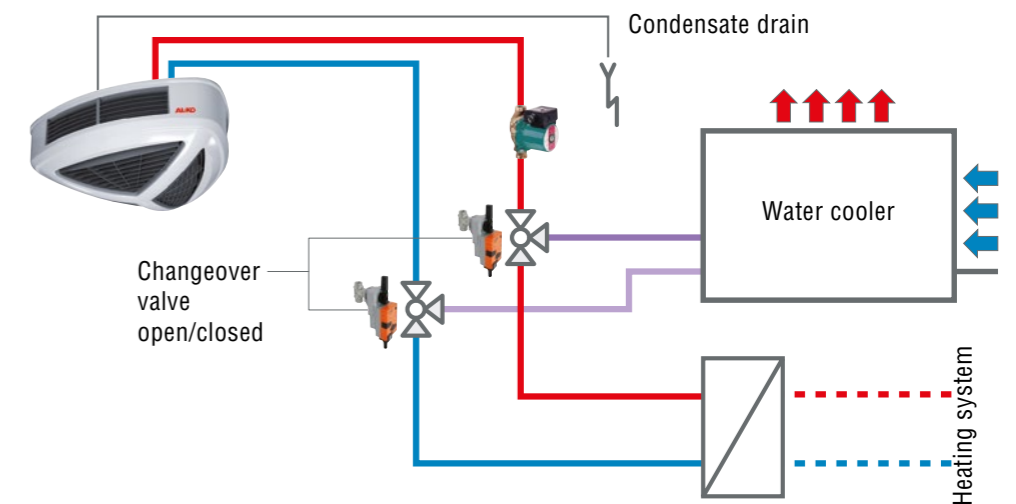


Cooling for ceiling heights up to 5.7 m



THE SYMBIOTIC RELATIONSHIP BETWEEN ENERGY ISSUES, NEW FUNCTIONALITY AND CREATIVE DESIGN:

Best airflow patterns thanks to variable discharge directions. The fundamental concept of the cooler is based on the technology used in the "DESIGN" heater. All that is required is a condensate pump and few accessories. This allows the cooling function to be added to an already installed "DESIGN" heater. Expensive pipework installation is not necessary, since the existing heating circuit can be used (provided it is only planned for "DESIGN" devices).



TECHNICAL DATA

Cooling

Installation sizes	ED-K1-C1	ED-K1-C2	ED-K1-C3	ED-K2-C1	ED-K2-C2	ED-K2-C3	ED-K3-C1	ED-K3-C2	ED-K3-C3
max. airflow rate (m³/h)	2,030	1,960	1,610	3,110	2,900	2,850	4,300	4,150	3,900
max. cooling capacity (KW) (at PCW 10/16, air intake +32°C / 40% rh)	3.5	5.6	7.4	3.8	7.6	9.8	5.1	10.0	12.8
Drive (2-stage)	3 x 400 V / 50 Hz								

AL-KO THERM GMBH
Ventilation and Air-Conditioning
Technology

Hauptstrasse 248 – 250
89343 Jettingen-Scheppach
Germany
Phone +49 8225 39-0
Fax +49 8225 39- 2113

Figures show configuration examples which are not available in every market.
Please ask your AL-KO advisor.

Provided by your AL-KO partner: